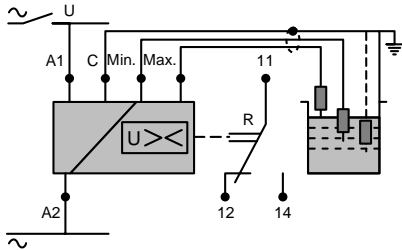


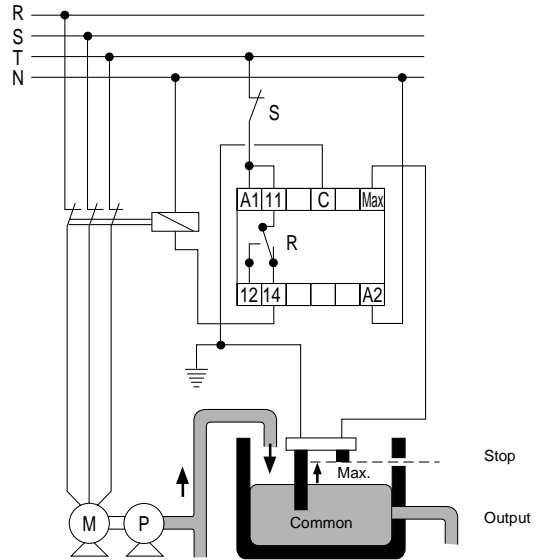
Zelio Control - measurement and control relays

Relay model RM 84

RM 84 870 00●, RM 84 870 1●1 (References : pages 28544/3 and 28545/3)

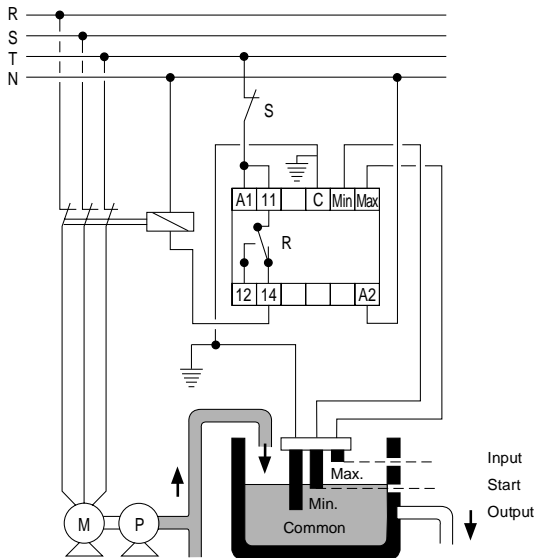


A1 - A2 : Supply

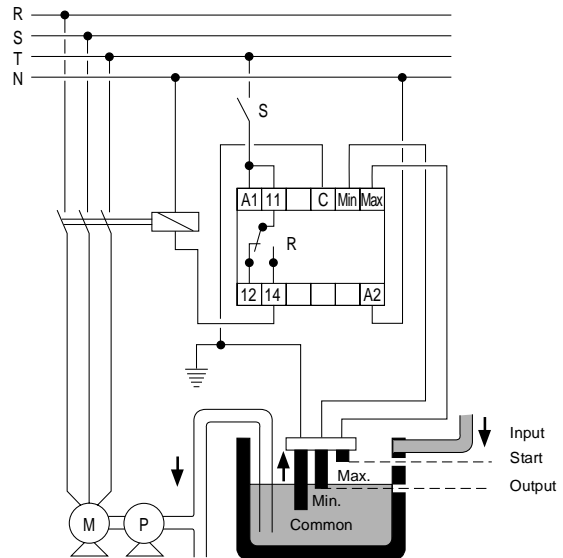


RM 84 870 00● (References : page 28544/3)

Regulation of two levels
"Up" filling control



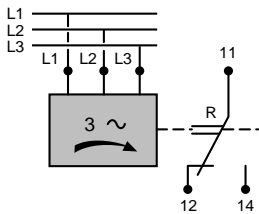
"Down" emptying control



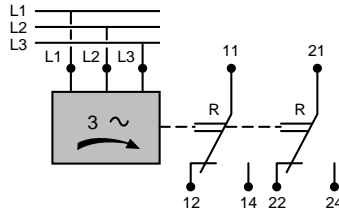
Zelio Control - measurement and control relays

Relay model RM 84

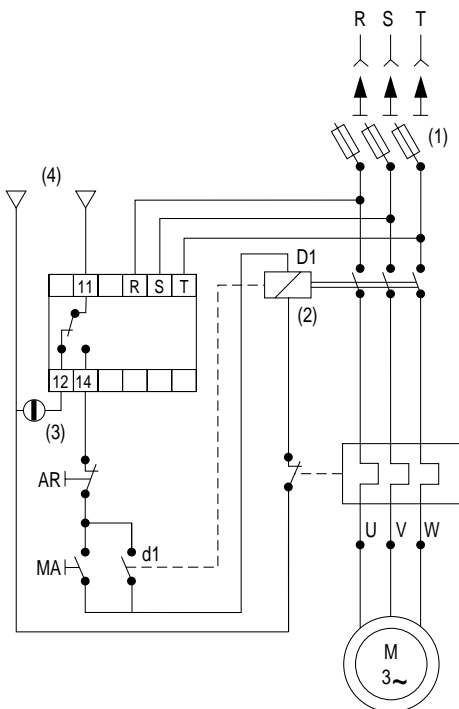
RM 84 873 299 (References : page 28531/3)



RM 84 873 004 (References : page 28531/3)

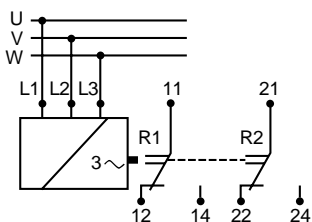


RM 84 892 299, RM 84 873 01●, RM 84 873 3●● (References : pages 28534/3 and 28535/3)



- (1) Isolating switch
- (2) D1 contactor
- (3) Alarm
- (4) Auxiliary power supply for contactor coil and signalling

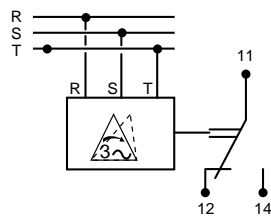
RM 84 873 01● (References : page 28534/3)



Terminal referencing

- L1 - L2 - L3 : 3-phase supply being monitored
- 12 - 13 - 14 : Output relay
- 21 - 22 - 24 : Output relay

RM 84 873 3●● (References : page 28535/3)



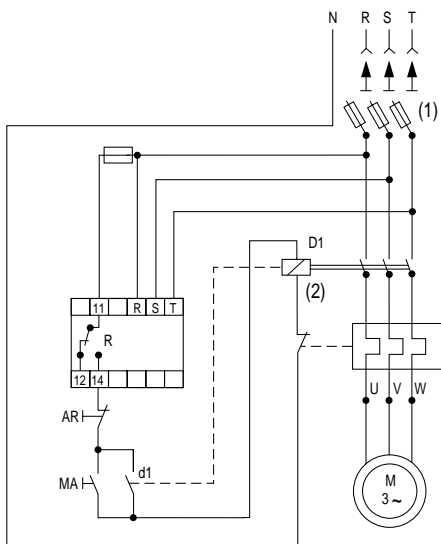
Terminal referencing

- Terminals L1 - L2 - L3 : 3-phase supply being monitored
- 12 - 13 - 14 : Output relay

Zelio Control - measurement and control relays

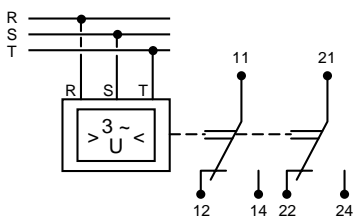
Relay model RM 84

RM 84 873 300 (References : page 28535/3)

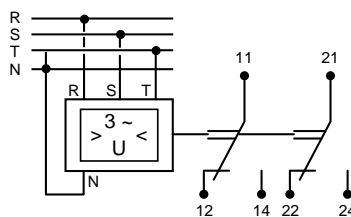


(1) Isolating switch
(2) D1 contactor

RM 84 873 201 (References : page 28536/3)



RM 84 873 211 (References : page 28536/3)



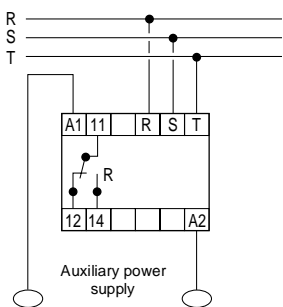
Terminal referencing

Terminals L1 - L2 - L3 : 3-phase supply being monitored
11 - 12 - 14 : Output relay (R1) lower threshold
21 - 22 - 24 : Output relay (R2) upper threshold

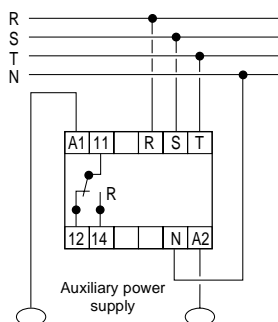
Terminal referencing

Terminals L1 - L2 - L3 - N : 3-phase supply being monitored
11 - 12 - 14 : Output relay (R1) lower threshold
21 - 22 - 24 : Output relay (R2) upper threshold

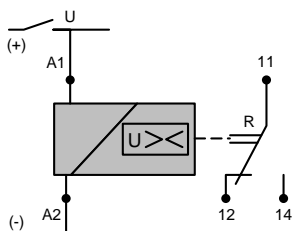
RM 84 873 201 (References : page 28536/3)



RM 84 873 211 (References : page 28536/3)

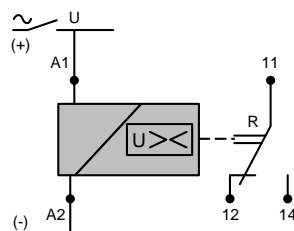


RM 84 872 040 (References : page 28538/3)



A1 - A2 : Supply

RM 84 872 050 (References : page 28538/3)



A1 - A2 : Supply

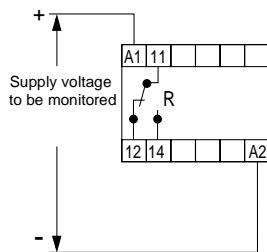
Zelio Control - measurement and control relays

Relay model RM 84

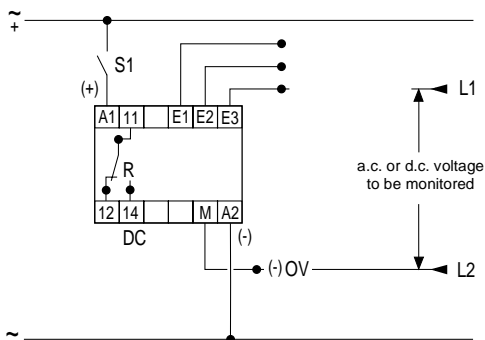
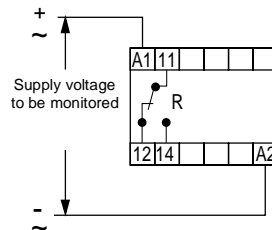
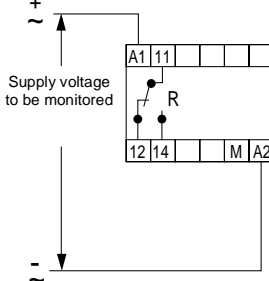
RM 84 872 04 (References : page 28538/3)

RM 84 872 05 (References : page 28538/3)

12 V version

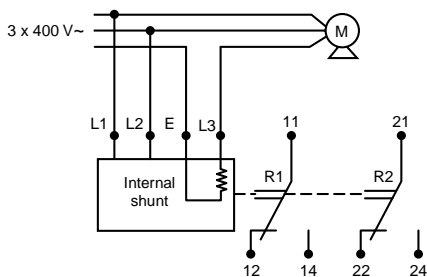


20 - 80 V and 90 - 270 V version

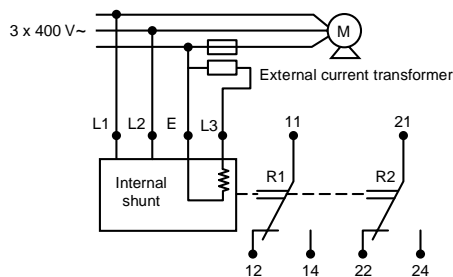


RM 84 873 40 (References : page 28542/3)

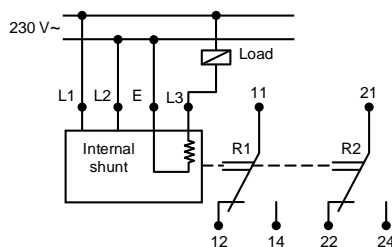
Operation on a 3-phase supply $I < 10\text{ A}$



Operation on a 3-phase supply $I > 10\text{ A}$



Operation on a single-phase supply $\sim 230\text{ V}$



Terminal referencing

- L1 - L2 - L3 : Supply to be monitored
- E : Current read input
- 11 - 12 - 14 : Output relay (R1) lower threshold
- 21 - 22 - 24 : Output relay (R2) upper threshold